

AT SB-C (Sound Bar Compact)

Soundbar using Wave Synergy™ Drive Units



The AT SB-C (compact) soundbar utilizes three of our 4" point source drive units in a very diminutive and lightweight cabinet. It has amazing sound quality and performs well on both music and movies. The SB-C brings the advantage of a point source driver to a considerably lower price point than the venerable SB-R (Sound Bar Reference), while still significantly outperforming competitive designs due to the advantages of the point source design. The SB-C is designed to work in conjunction with our AT 12 IR Active Subwoofer or any higher output subwoofer. Deep bass is directed away from the soundbar to limit vibration induced or vibration borne distortion and potential long-term damage to the television.

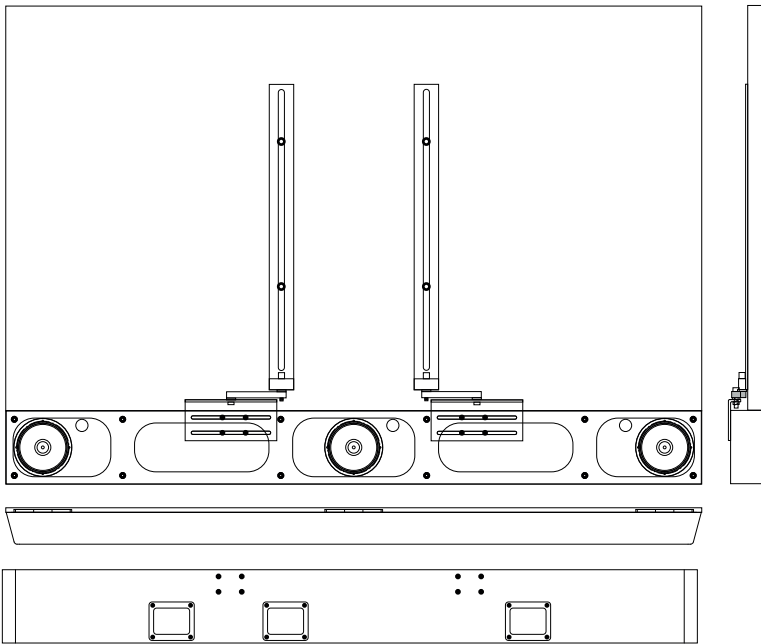
Wave Synergy™

Characteristic of the Ariatechnik Wave Synergy™ loudspeaker design is that it presents a large 'sweet spot' both vertically and horizontally with an exceptionally even response throughout the listening area, as well as an extraordinary transient response. The Wave Synergy™ driver is effectively two drivers properly merged into one where, unlike ordinary drive units, the high frequency unit is positioned on the back of the low frequency driver and in the proper phase alignment with the high frequency driver. As a result they are on the same time axis, so ensuring that sound energy effectively propagates from the same point and is delivered through the center of the low frequency cone as true point source.

Such integration optimizes reproduction quality by providing a constant time delay over the frequency spectrum, exceptional transient performance, wide dispersion and superior harmonic alignment, all of which delivers to the listening position a natural, clean and integrated sound with greatly enhanced intelligibility, sound staging and dynamics.

AT SB-C (Sound Bar Compact)

Soundbar using Wave Synergy™ Drive Units



FEATURES

- ▲ Three 4" (102mm) point source drive units
- ▲ Very flat frequency and phase response
- ▲ Ideal for use above or below flat screen televisions
- ▲ Exceptional transient performance

APPLICATIONS

- ▲ Superior harmonic alignment
- ▲ Natural, clean and integrated sound
- ▲ Enhanced intelligibility, sound staging and dynamics
- ▲ Recommended amplifier power 100 to 200W @ 8Ω

SYSTEM

Driver Description:	The Ariatechnik 4" Point Source driver is a full-range coaxial loudspeaker providing high quality sound in a very compact format featuring a 4" curved linear poly cone woofer mated with a 3/4" silk dome tweeter. The poly cone woofer provides a good balance between stiffness, low mass and damping making for a very natural sounding driver with a smooth frequency response. The silk dome tweeter provides detailed and clear high frequencies with minimal distortion.
Transducer:	Ariatechnik 4" Concentric Driver with 3/4" Silk Dome Tweeter 8 Ohm
Crossover Type:	Passive network
Power Handling:	Average (A.E.S): 40 Watts, Program: 100 Watts, peak: 300 Watts
Native Sensitivity:	87 dB woofer, tweeter: 89.2 dB
Frequency Range:	95 Hz - 20 kHz +/- 3 dB 80 Hz - 25 kHz -10 dB
Maximum Output:	8 Ohms

CONSTRUCTION

Material:	MDF Painted texture black
Dimensions: (HxWxD)	
Soundbar body 65":	6" x 56.6" x 2.6" 152.4mm x 1666mm x 66mm
Soundbar body 75":	6" x 65.6" x 2.6" 152.4mm x 1666mm x 66mm
Grill Dimensions:	All grills are made to match the width of the television being utilized and are 0.375" or 9.52mm thick
Weight:	
Soundbar 65" SB-C:	approx. 19 lbs. (8.61kg) with 65" grill
Soundbar 75" SB-C:	approx. 22 lbs. (9.97kg) with 75" grill
Note:	Weight varies slightly with grill width for TV matching
Shipping Weight:	TBD